

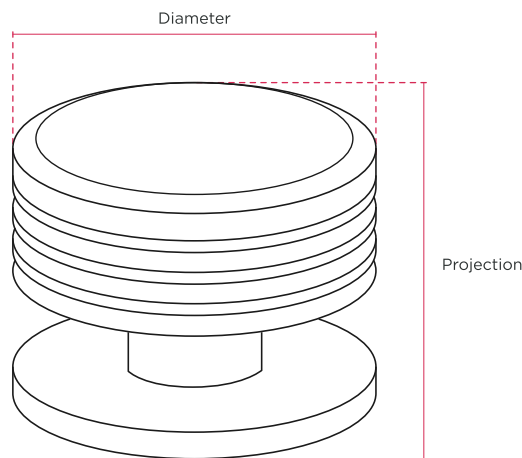
HENRY BLAKE

HARDWARE

Product Code: SK0003 **Product Name:** Fluted Centre Door Knob



Finish - Shown in Antique Brass | Available in all Henry Blake Hardware finishes



Diameter	Projection	Rose
65mm	55mm	65mm
100mm	75mm	100mm

Fixings: Supplied 1x M6 x 60mm machine bolts

Custom sizes available upon request
Available back to back upon request