

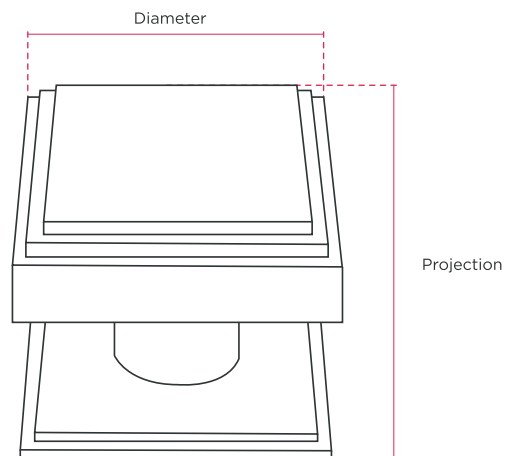
# HENRY BLAKE

HARDWARE

**Product Code:** SK0151 **Product Name:** Deco Square Pull Handle



**Finish - Shown in Antique Brass** | Available in all Henry Blake Hardware finishes



**Fixings: Supplied 1x M6 x 60mm bolts**

Diameter	Projection	Rose
60x60mm	56mm	60mm

Custom sizes available upon request  
Available back to back upon request