

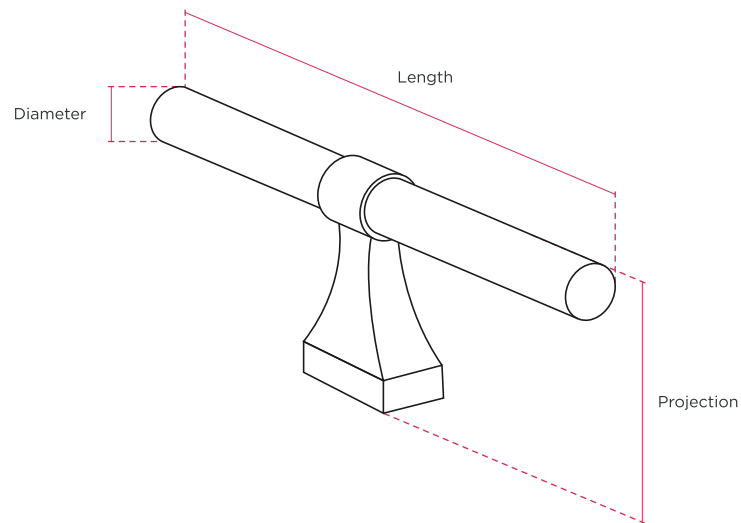
HENRY BLAKE

HARDWARE

Product Code: SK0180 **Product Name:** T-Bar Pull Handle



Finish - Shown in Antique Brass | Available in all Henry Blake Hardware finishes



Fixings: Supplied 1x M10 x 60mm bolts

Base	Length	Diameter	Projection
60mm x 30mm	250mm	25mm	100mm