

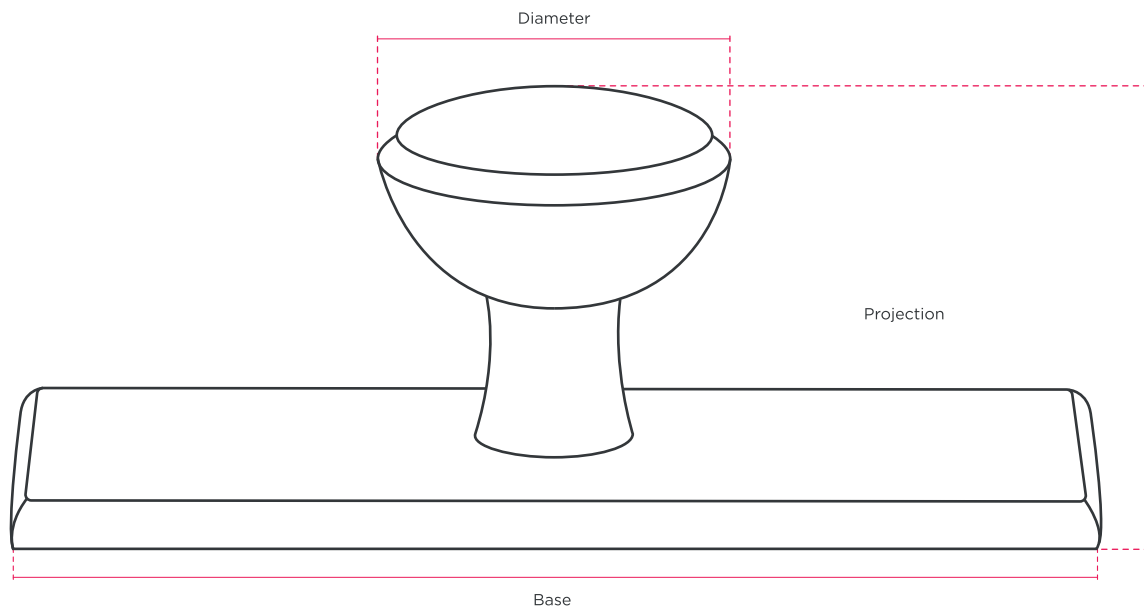
# HENRY BLAKE

HARDWARE

**Product Code:** SK3017 | **Product Name:** Prestbury Knob on Rectangular Backplate



**Finish - Shown in Antique Brass Waxed** | Available in all Henry Blake Hardware finishes



Knob Diameter	Projection	Backplate Length	Backplate Width
35mm	38mm	115mm	20mm

**Fixings: Supplied 1x M4 x 30mm machine bolts**

Custom sizes available upon request