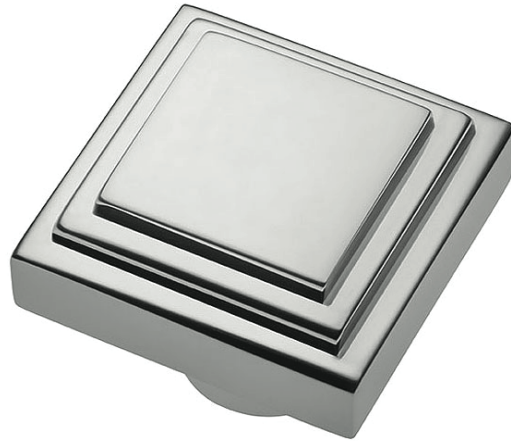


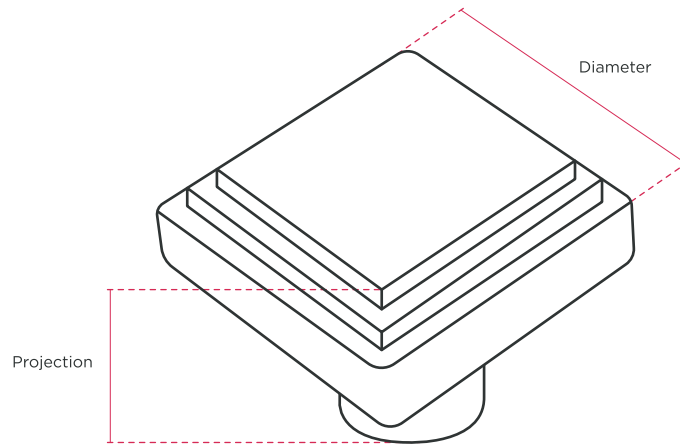
HENRY BLAKE

HARDWARE

Product Code: SK3020 | **Product Name:** Art Deco Cabinet Knob



Finish - Shown in Polished Chrome | Available in all Henry Blake Hardware finishes



Diameter	Projection
20mm	22mm
30mm	27mm
40mm	40mm

Fixings: Supplied 1x M4 x 30mm machine bolts

Custom sizes available upon request