

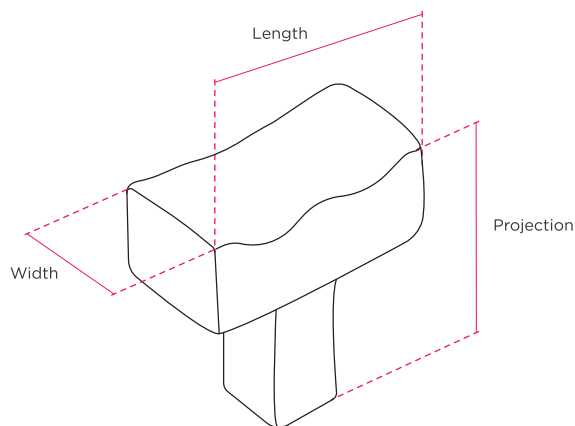
# HENRY BLAKE

HARDWARE

**Product Code:** SK3093 **Product Name:** Organic Waved Cabinet Knob



**Finish - Shown in Polished Brass** | Available in all Henry Blake Hardware finishes



**Fixings: Supplied M4 Screws**

Width	Projection	Length
20mm	38mm	35mm