

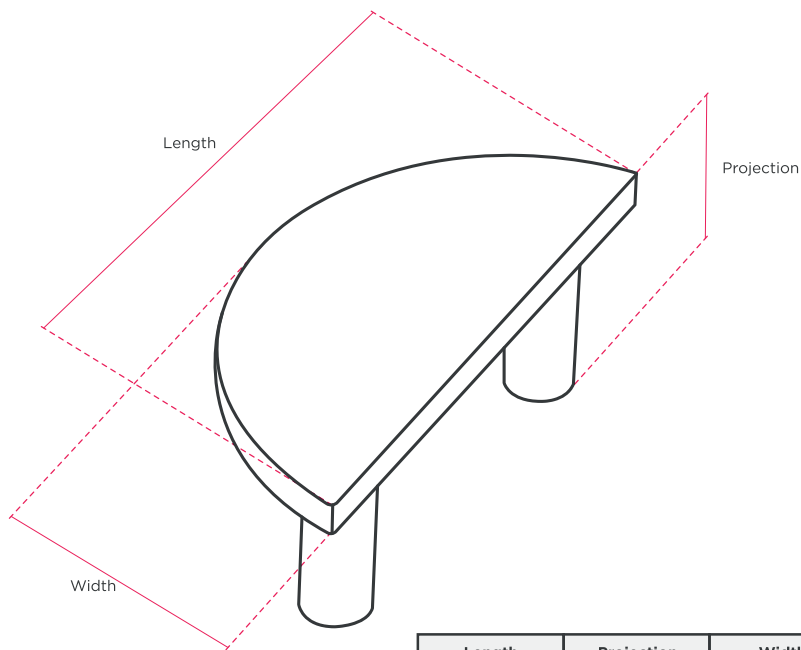
HENRY BLAKE

HARDWARE

Product Code: SK3125 | **Product Name:** Half Moon Smooth Cabinet Pull



Finish - Shown in Dark Bronze | Available in all Henry Blake Hardware finishes



Length	Projection	Width	Centres
75mm	28mm	32mm	50mm

Fixings: Supplied 2x M4 x 30mm machine bolts
***Sold Individually**

Custom sizes available upon request