

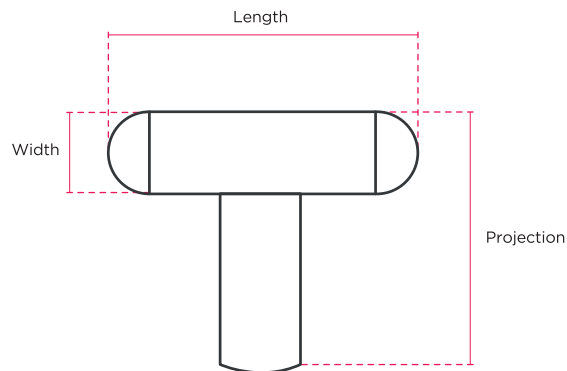
HENRY BLAKE

HARDWARE

Product Code: SK3162 | **Product Name:** Retro T-Bar Cabinet Knob



Finish - Shown in Antique Brass | Available in all Henry Blake Hardware finishes



Length	Width	Projection
45mm	12mm	33mm

Fixings: 1 x m4 x 30mm bolt

Custom sizes available upon request