

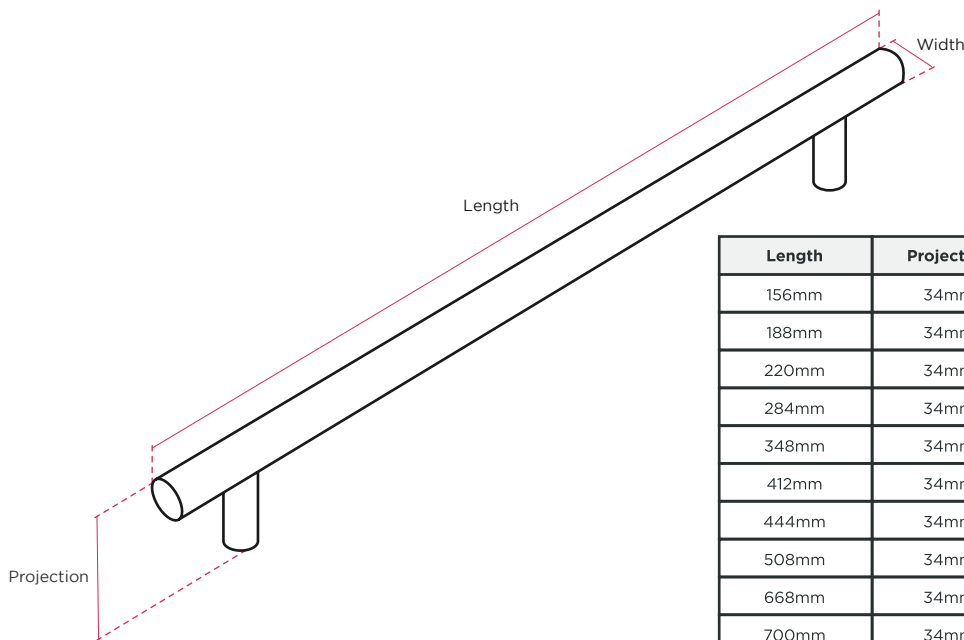
HENRY BLAKE

HARDWARE

Product Code: SK3550 | **Product Name:** Tube T Bar Cabinet Pull Handle



Finish - Shown in Satin Brass | Available in all Henry Blake Hardware finishes



Length	Projection	Width	Centres
156mm	34mm	12mm	96mm
188mm	34mm	12mm	128mm
220mm	34mm	12mm	160mm
284mm	34mm	12mm	224mm
348mm	34mm	12mm	288mm
412mm	34mm	12mm	352mm
444mm	34mm	12mm	384mm
508mm	34mm	12mm	448mm
668mm	34mm	12mm	608mm
700mm	34mm	12mm	640mm
828mm	34mm	12mm	768mm
1020mm	34mm	12mm	960mm

Fixings: Supplied 2 x M4 x 30mm bolts

Custom sizes available upon request
Back to back sets available upon request.