

HENRY BLAKE

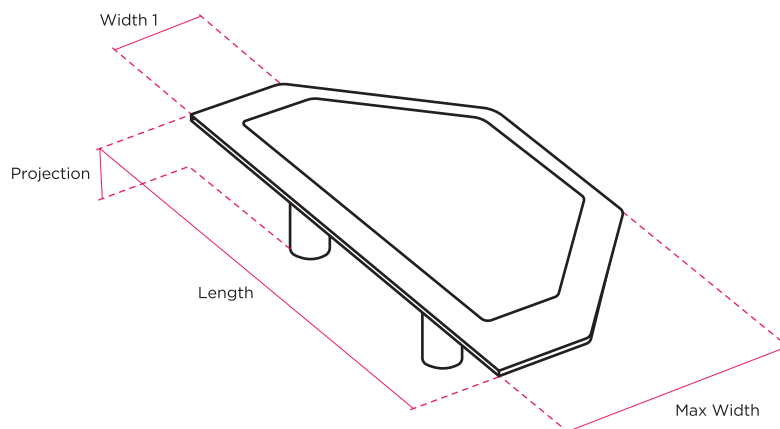
×

PETER STAUNTON

Product Code: PS0001 | **Product Name:** Astor Door Pull Handle



Finish - Shown in Antique Brass | Available in all Henry Blake Hardware finishes



Please note, this product is manufactured using sand-cast technology and dimensions are approximate.

Length	Projection	Centres	Width 1	Max Width
200mm	40mm	87mm	42mm	100mm