

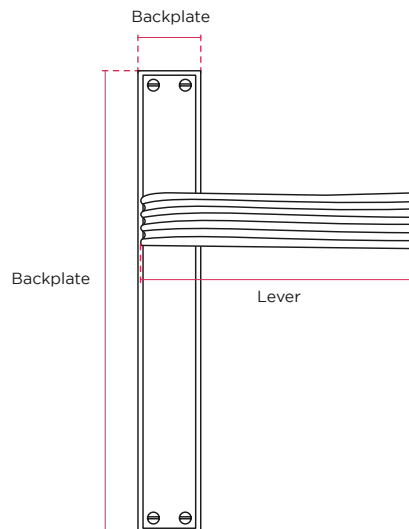
HENRY BLAKE

HARDWARE

Product Code: SK1033 | **Product Name:** Art Deco Fluted Lever on Slim Stepped plate



Finish - Shown in Antique Brass | Available in all Henry Blake Hardware finishes



Levers are unsprung & require heavy duty latch or lock. Available as Latch, Lock, Euro Profile or Bathroom Function

Backplate	Thickness	Lever Length	Projection
254mm x 35mm	6mm	130mm	60mm