

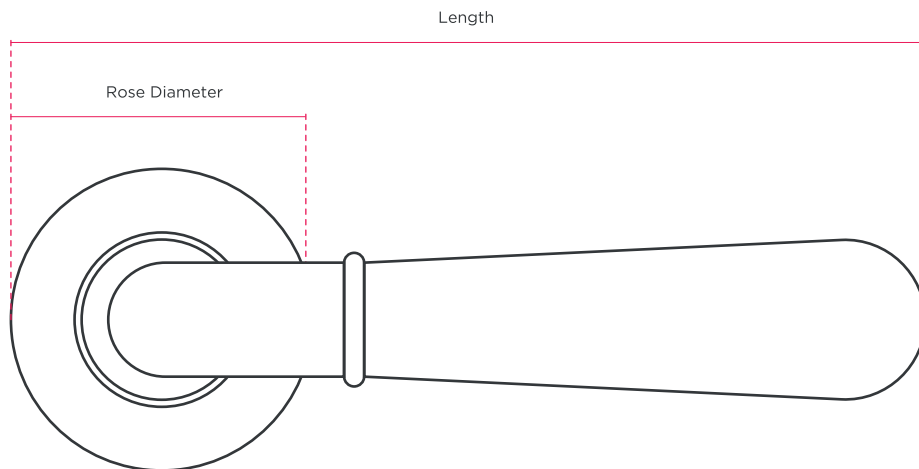


# HENRY BLAKE

**Product Code:** SK1081/82 | **Product Name:** Prestbury Lever Handle Set



**Finish - Shown in Antique Brass** | Available in all Henry Blake Hardware finishes



Length	Projection	Rose Diameter
133mm	70mm	50mm
133mm	70mm	57mm

**Levers are sprung as standard, but can be supplied unsprung if required**