

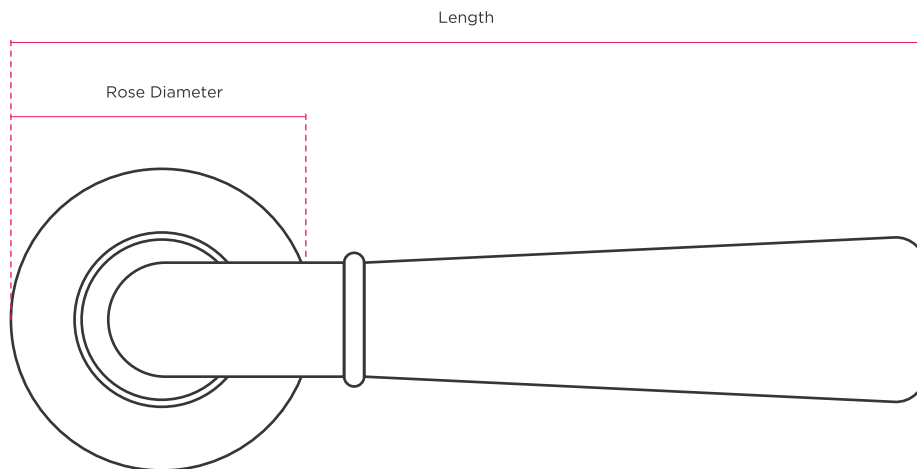


# HENRY BLAKE

**Product Code:** SK1084/85 | **Product Name:** Wright Lever Handle



**Finish - Shown in Antique Brass** | Available in all Henry Blake Hardware finishes



**Levers are sprung as standard, but can be supplied unsprung if required**

Length	Projection	Rose Diameter
129mm	70mm	50mm
129mm	70mm	57mm