

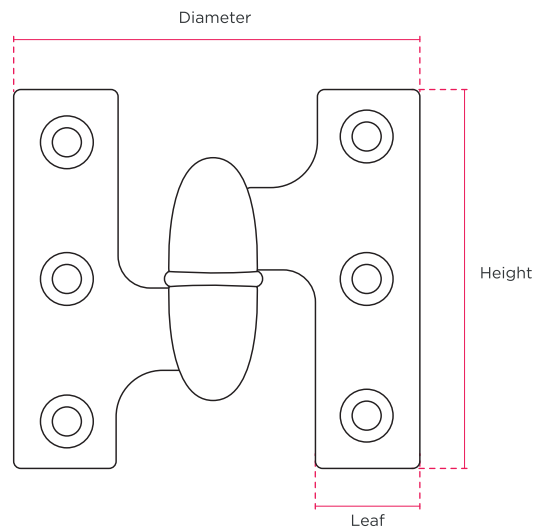
# HENRY BLAKE

HARDWARE

**Product Code:** SK2107 | **Product Name:** Olive Knuckle Hinge



**Finish - Shown in Polished Chrome** | Available in all Henry Blake Hardware finishes



Height	Diameter	Thickness	Hinge Leaf
50mm	54mm	2.5mm	14mm