

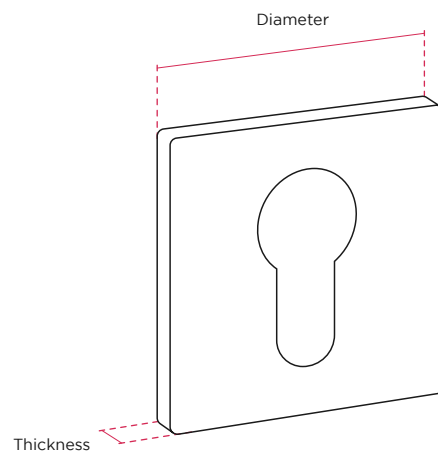
HENRY BLAKE

HARDWARE

Product Code: SK2505 | **Product Name:** Square Escutcheon



Finish - Shown in Satin Nickel | Available in all Henry Blake Hardware finishes



Available in standard UK or Euro Lock Profile.

| Diameter | Thickness |
|-----------|-----------|
| 50mmx50mm | 6mm |