

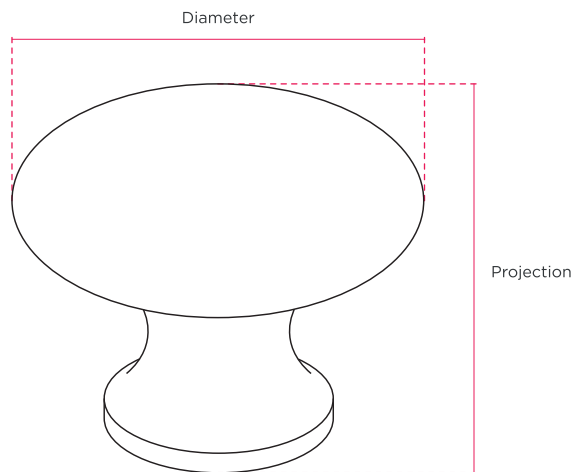
# HENRY BLAKE

HARDWARE

**Product Code:** SK3061 | **Product Name:** Jones Button Cabinet Knob



**Finish - Shown in Antique Brass** | Available in all Henry Blake Hardware finishes



Diameter	Projection	Base Diameter
32mm	26mm	18mm
38mm	28mm	20mm

**Fixings: Supplied with 1 x M4 Bolt**