

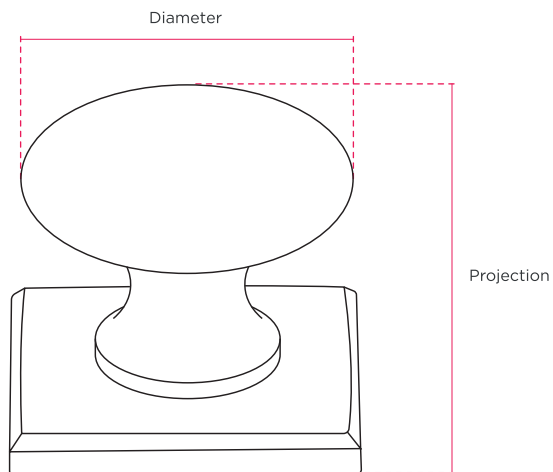
# HENRY BLAKE

HARDWARE

**Product Code:** SK3062 | **Product Name:** Jones Button Cabinet Knob on a Backplate



**Finish - Shown in Antique Brass** | Available in all Henry Blake Hardware finishes



**Fixings: Supplied with 1 x M4 Bolt**

Diameter	Projection	Backplate Size
32mm	30mm	35 x 35mmmm