

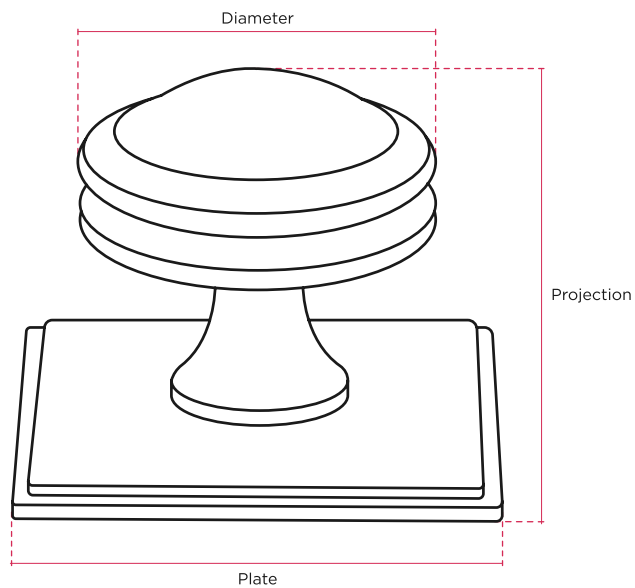
# HENRY BLAKE

HARDWARE

**Product Code:** SK3083 | **Product Name:** Fluted Art Deco Cabinet Knob on Stepped Plate



**Finish - Shown in Polished Brass** | Available in all Henry Blake Hardware finishes



Diameter	Projection	Plate
29mm	28mm	3mmx40mm

**Fixings 1 x m4 x 30mm bolt**  
**Also available without a back plate or on a plain square back plate.**