

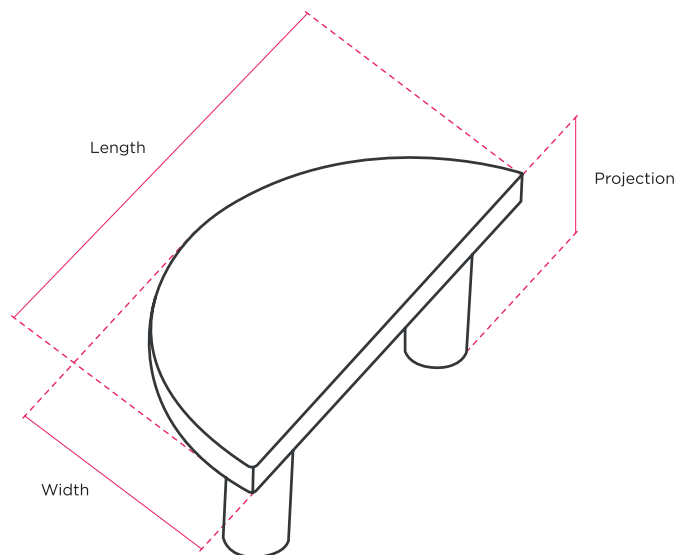
HENRY BLAKE

HARDWARE

Product Code: SK3122 | **Product Name:** Dune Half-Moon Cabinet Handle



Finish - Shown in Antique Brass | Available in all Henry Blake Hardware finishes



Length	Projection	Centres	Width	Backset
100mm	33mm	70mm	43mm	9mm

**Fixings: 2 x M4 x 30mm machine bolts.
Sold individually**

Custom sizes available upon request