

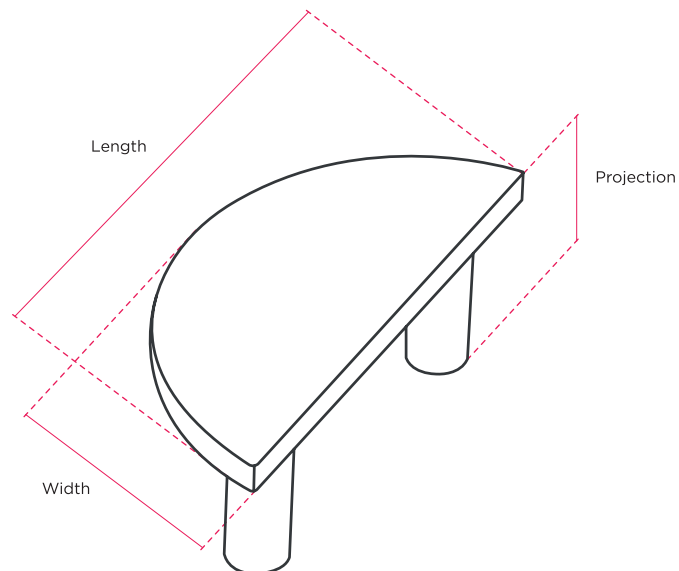
HENRY BLAKE

HARDWARE

Product Code: SK3126 | **Product Name:** Smooth Half Moon Shaped Pull Handle



Finish - Shown in Satin Brass | Available in all Henry Blake Hardware finishes



Length	Projection	Width	Post Diameter	Centres
100mm	32mm	43mm	12mm	70mm

**Fixings: 2 x M4 x 30mm machine bolts.
Sold individually**

Custom sizes available upon request