

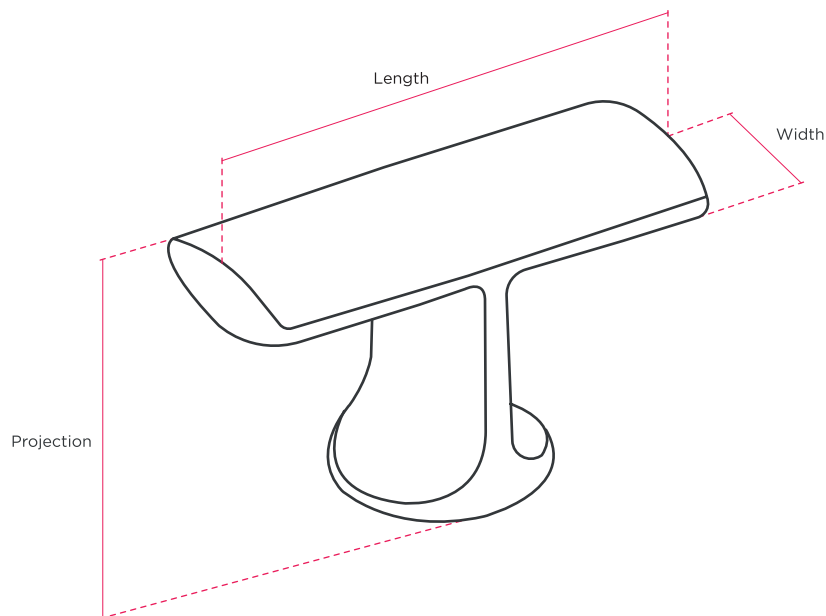
HENRY BLAKE

HARDWARE

Product Code: SK3185 | **Product Name:** Verve T-Bar Cabinet Knob



Finish - Shown in Antique Brass | Available in all Henry Blake Hardware finishes



Fixings: Supplied with 1 x M4 Bolts

Length	Projection	Width
41mm	25mm	17.5mm