

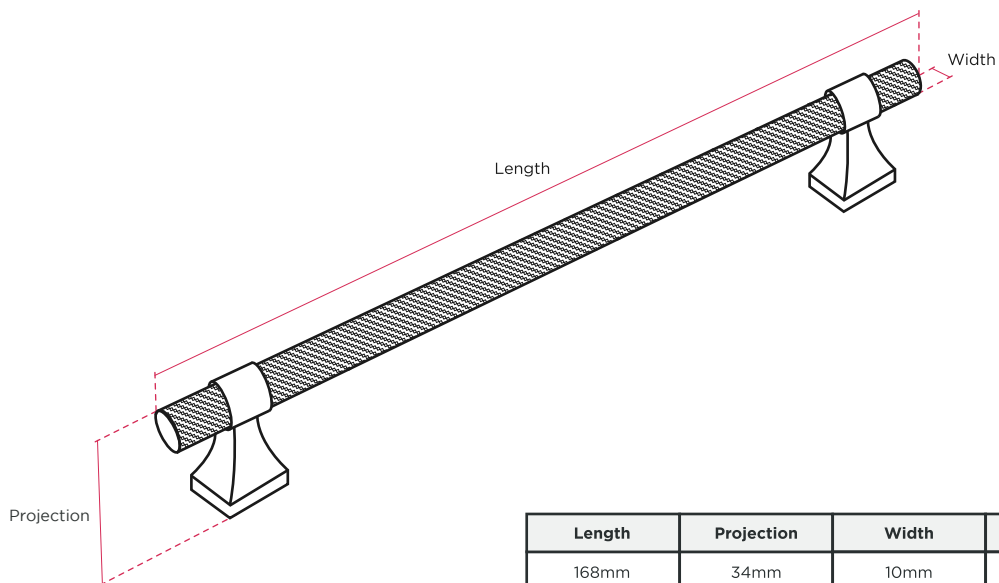
HENRY BLAKE

HARDWARE

Product Code: SK3380 | **Product Name:** Knurled Round T Bar Cabinet Pull Handle with Shaped Stems



Finish - Shown in Polished Brass | Available in all Henry Blake Hardware finishes



Length	Projection	Width	Centres
168mm	34mm	10mm	128mm
268mm	34mm	10mm	224mm
424mm	34mm	10mm	384mm
680mm	34mm	10mm	640mm

Fixings: Supplied 2x M4 x 30mm bolts

Custom sizes available upon request
Back to back sets available upon request.