

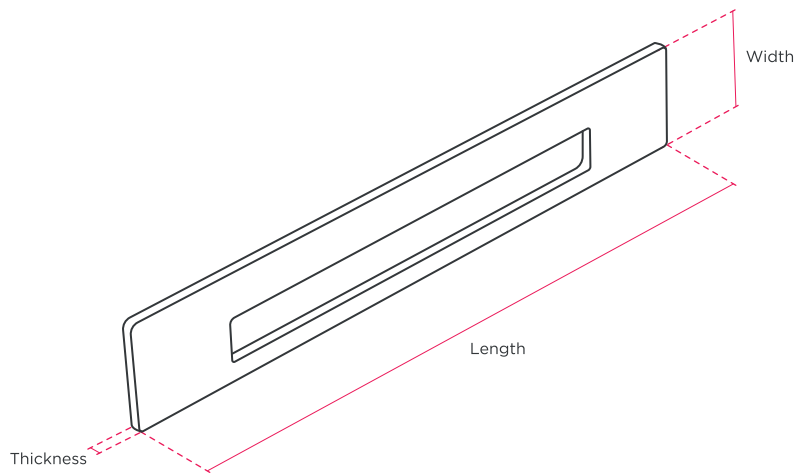
# HENRY BLAKE

HARDWARE

**Product Code:** SK3925 **Product Name:** Recessed Flat Bar Cabinet Handle



**Finish - Shown in Graphite Lacquered** | Available in all Henry Blake Hardware finishes



**Fixings: Supplied with 2 x M4 bolts**

Width	Length	Thickness
48mm	300mm	6mm